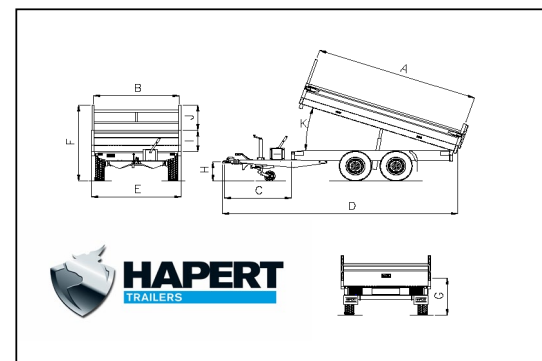


# Technical data

Cobalt+



	HM2 3500kg. 335x180	HM3 3500kg 405x200 cm	HM3 3500kg 405x200 cm 3 AXLE
<b>Dimensions / weights</b>			
Maximum Gross Weight	3500	3500	3500
Empty weight	1108	1316	1458
Loading capacity	2392	2184	2042
Interiour length [A]	335	405	405
Interiour width [B]	180	200	200
Length drawbar [C]	130	130	130
Total length [D]	470	541	541
Total width [E]	186	206	206
Total height incl. ladder-rack [F]	183	183	183
Height of the loading floor [G]	73	73	73
Height of coupling [H]	45	45	45
Height of the walls [I]	40	40	40
Height ladder-rack [J]	70	70	70
Tip-angle [K]	55°	49°	49°
Tip-angle sideways [K]	45°	45°	45°
Tyre size	185/70R13C	185/70R13C	185/70R13C
number of fixing points integrated in the side	6	8	8
number of recesses for rope hook to bolt	12	20	20



<b>Options / weights</b>	
Weldmesh extension 75cm high:	+ 107 kg.
Drop sides removable 40 cm. high	+ 67 kg.
Ladder rack	+ 16 kg.
Spare wheel	+ 19 kg.

Dimensions in cm, weights in kg.

All specifications are subject to change